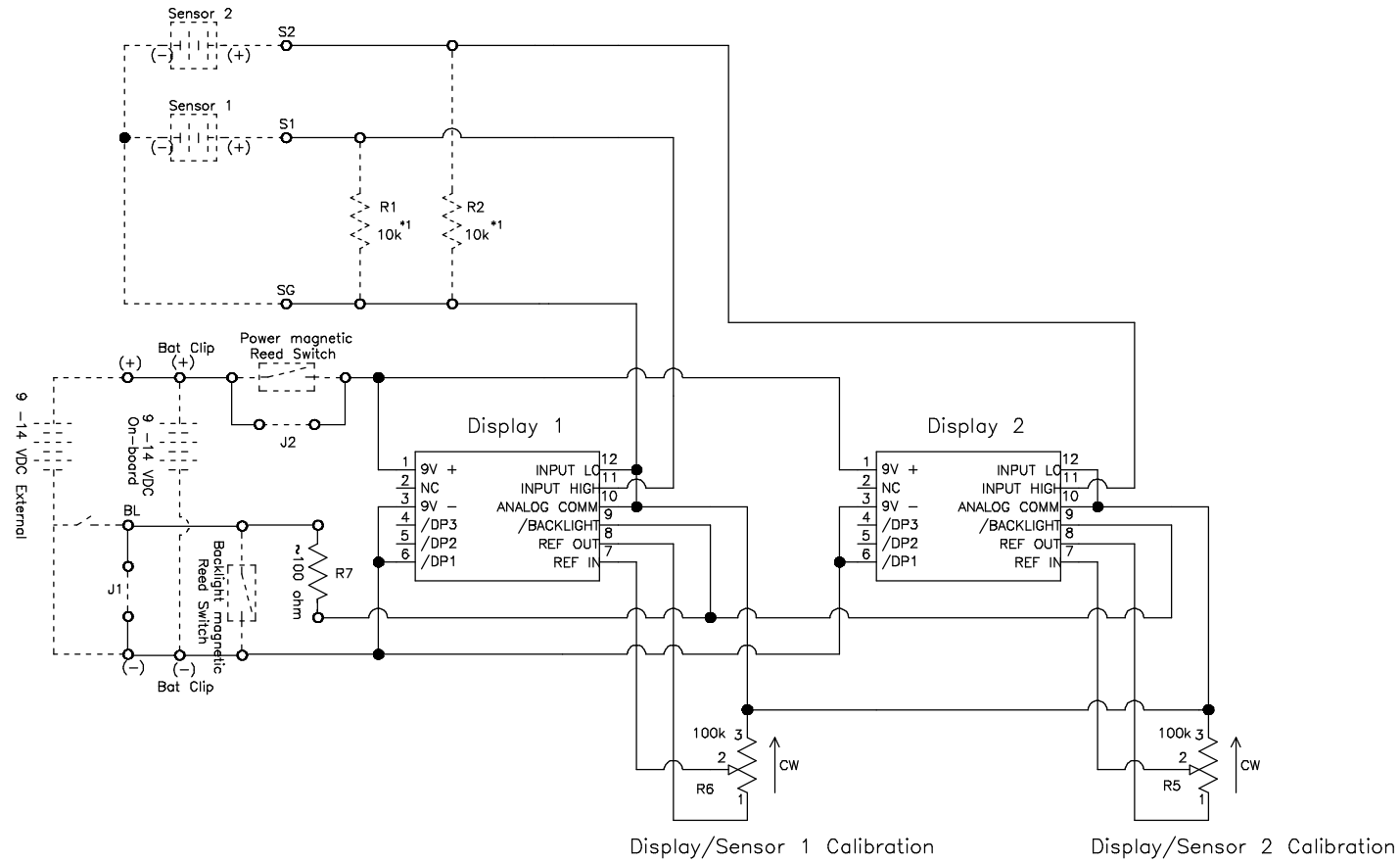


NOTES:

\*1 - Some sensors require a load resistor, check with your manufacture.

PP02.COM		Schematic diagram PP02 board, #Generation six-2		
WWW.PP02.COM	SIZE A	DWG. By: Mark Munro	DWG NO.: Gen Six-2	REV 2
http://www.ppo2.com/files/		Date: 11/05	SHEET: 1 OF 1	



NOTES:

\*1 - Some sensors require a load resistor, check with your manufacture.

<b>PPO2.COM</b>		Schematic diagram PPO2 board, #Generation six-2		
WWW.PPO2.COM	SIZE A	DWG. By: Mark Munro	DWG NO.: Gen Six-2	REV 2
http://www.ppo2.com/files/		Date: 11/05	SHEET: 1 OF 1	