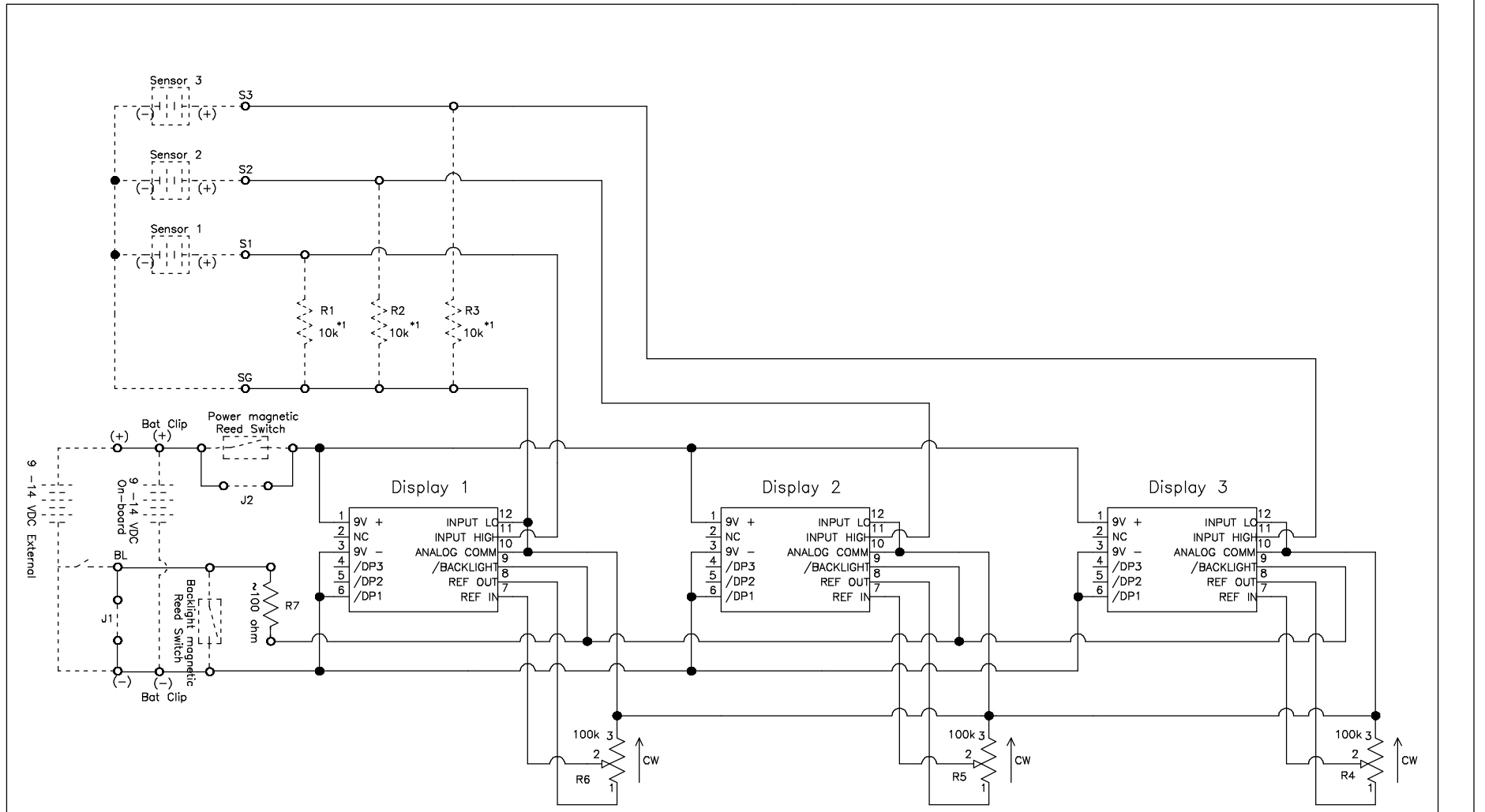


NOTES:
 *1 - Some sensors require a load resistor, check with your manufacture.

PP02.COM		Schematic diagram PP02 board, #Generation six-3		
WWW.PP02.COM	SIZE A	DWG. By: Mark Munro	DWG NO.: Gen Six-3	REV 2
http:\\www.ppo2.com\\files\\	Date: 11/05	SHEET: 1 OF 1		



Display/Sensor 1 Calibration

Display/Sensor 2 Calibration

Display/Sensor 3 Calibration

NOTES:

*1 - Some sensors require a load resistor, check with your manufacture.

PP02.COM		Schematic diagram PP02 board, #Generation six-3		
WWW.PP02.COM	SIZE A	DWG. By: Mark Munro	DWG NO.: Gen Six-3	REV 2
http:\\www.ppo2.com\\files\\	Date: 11/05	SHEET: 1 OF 1		